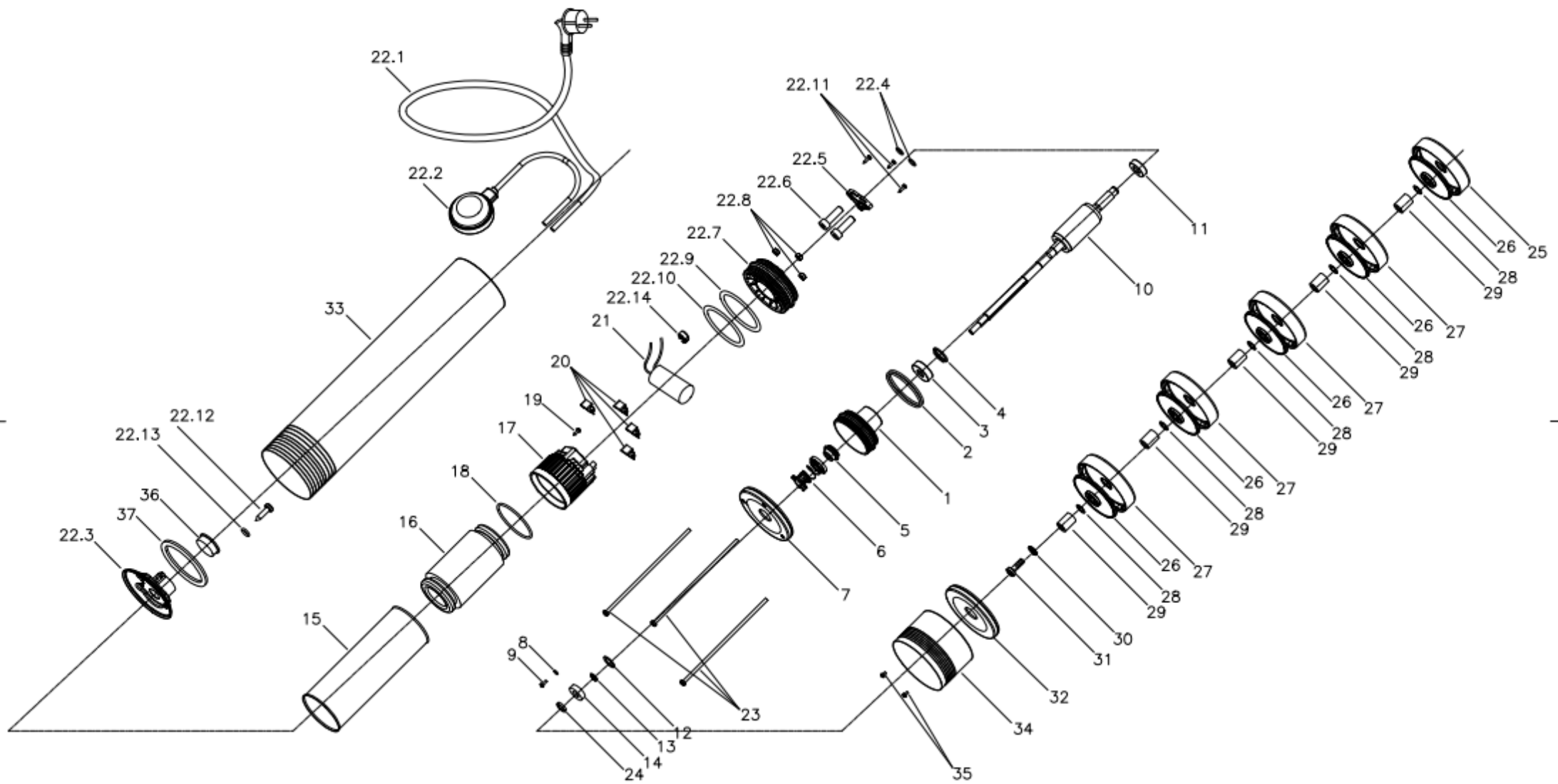


RIO 120 230V 50HZ

COD. ARI0120000001



RIF.	COD. ARTICOLO	DESCRIZIONE	QUANTITA'
1	KRR0001230343	LOWER ROTOR SUPPORT	1
2	KRR0001180035	O RING 82,14X3,53	2
3	KRR0001170014	LOWER BEARING 6302	1
4	KRR0001210015	SEEGER D.42MM DIN 472	1
5	KRR0001180026	MECHANICAL SEAL (FIXED) 17X29.5X8	1
6	KRR0001180031	MECHANICAL SEAL (ROTATING) 15X28.5X17	1
7	KRR0001230342	PLATE FOR ROTOR INFERIOR SUPPORT	1
8	KRR0001180008	O RING 7,00X2,00	1
9	KRR0001190006	SCREW CHC - M8X12	1
10	KRR0001220574	BLOCK ROTOR-SHAFT RIO 120	1
11	KRR0001770007	UPPER BEARING 6202	1
12	KRR0001210014	WASHER INOX 27X15X0.6	1
13	KRR0001210013	SEEGER D.15MM DIN 471	1
14	KRR0001180010	OIL RETAINER 15X35X7	1
15	KRR0001220066	MOTOR FRAME RIO 120	1
16	KRR0001220203	WOUND STATOR RIO 120 (230V) 90X47 H100	1
17	KRR0001230012	UPPER MOTOR SUPPORT	1
18	KRR0001180037	O RING 75X2	1
19	KRR0001190029	SCREW M3.9X9.5 DIN7981	1
20	KRR0001120028	FINAL TERMINAL ANL 06 P	4
21	KRR0001260020	CAPACITOR RIO 120 - 20MF	1
22.1	KRR0001160023	CABLE 3X1 20MT	1
22.2	KRR0001110034	FLOATING SWITCH 0.55MTS H07 RNF SMALL	1
22.3	KRR0001230009	UPPER COVER (TWO CABLE-PRESS)	1
22.4	KRR0001180032	O RING 13X4	2
22.5	KRR0001230104	CABLE-PRESS	1
22.6	KRR0001230001	FAIRLEAD	2
22.7	KRR0001230347	HEAD SUPPORT	1
22.8	KRR0001190057	NUT M5 DIN 934	3
22.9	KRR0001180420	HEAD GASKET	1
22.10	KRR0001180035	O RING 82,14X3,53	1
22.11	KRR0001190108	SCREW TORX T-25 DELTA - PT 5X14	3
22.12	KRR0001190099	SCREW M6 X16 DIN 912	1
22.13	KRR0001180007	O RING 5,10X1,60	1
22.14	KRR0001120060	FINAL GROMMET M4 P-2 FIOS	1
23	KRR0001220468	TIE ROD M5X270 RIO 120 (NORYL)	3
24	KRR0001230491	BUSH 5MM	1
25	KRR0001230624	BASE DIFFUSER RIO 120	1
26	KRR0001230548	IMPELLER INOX RIO 120	5
27	KRR0001230487	INTERMEDIATE DIFFUSER RIO 120	4
28	KRR0001210011	WASHER 25X13X11 H1	5
29	KRR0001230488	BUSH 17,7MM	5
30	KRR0001210012	WASHER M8	1
31	KRR0001190067	SCREW M8 X16 DIN 912	1
32	KRR0001230486	DIFFUSER COVERING	1
33	KRR0001220577	CYLINDER RIO 120	1
34	KRR0001230002	SUCTION GRID	1
35	KRR0001230244	LITTLE SCREW	2
36	KRR0001240088	PLUG 1 1/4"	1
37	KRR0001180187	FLAT RIM	1