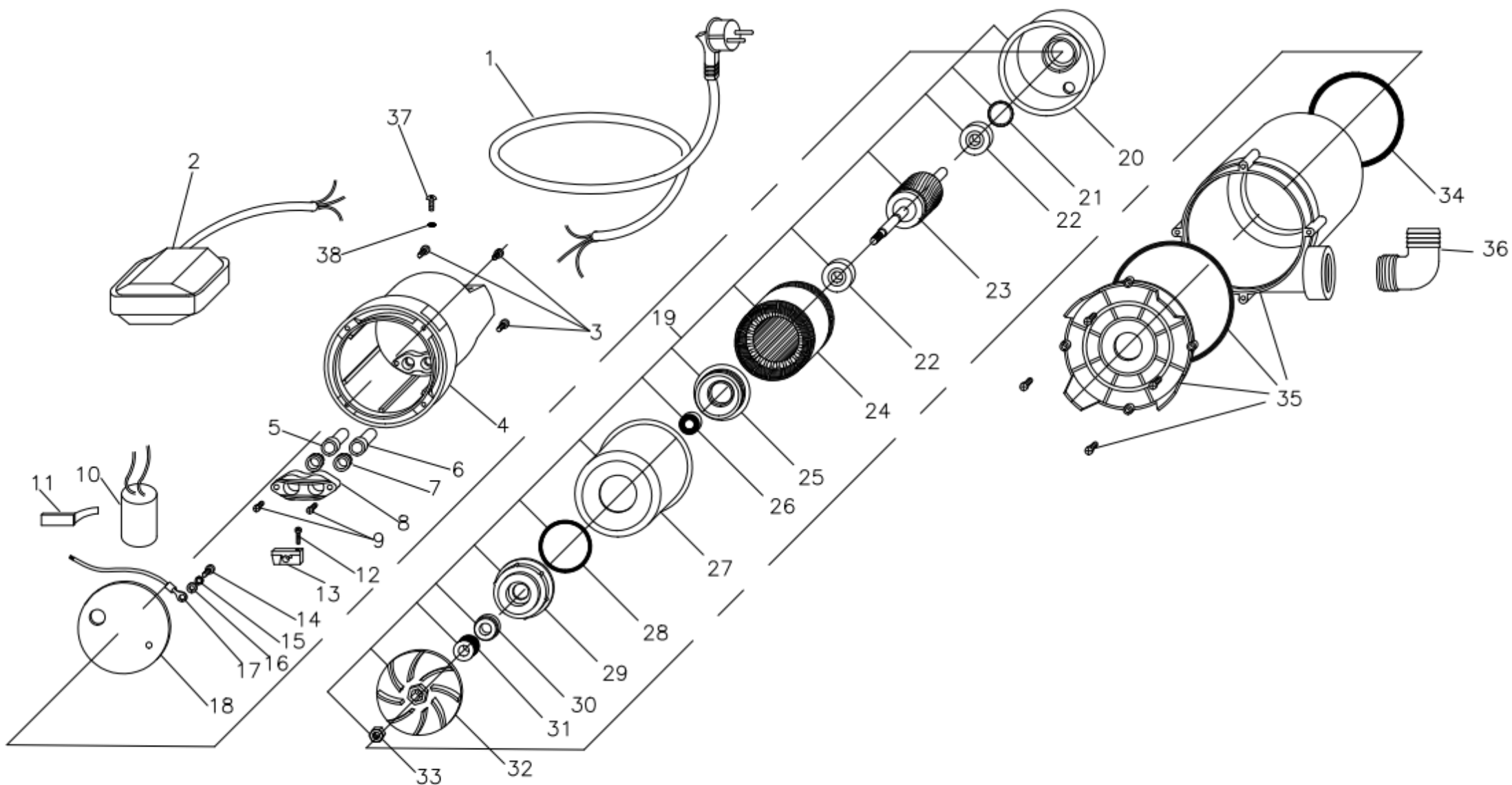


# SPM 5000 230V 50HZ

COD. ASPM500000001

02/02/2015



RIF.	COD. ARTICOLO	DESCRIZIONE	QUANTITA'
1	14ACAVRNF0004	CAVO H05 RNF 3X0,75 M 10,3 SCHUKO	1
2	11AGAL0000002	GALLEGGIANTE FILO CM 52 NERO H07 RNF 3X1	1
3	30005A0000006	VITE 5X20 A2 TC+ SLD	4
4	55AOSIP0000003	TESTATA OSIP GAL/P VERDE	1
5	34PAS000000002	PASSACAVALO 9X19 C. EPDM50	1
6	34PAS000000001	PASSACAVALO 7X19 C. EPDM50	1
7	24ABOC0000001	BOCCOLA FERMACAVALO "TURBO 50"	2
8	24ASTA000000001	STAFFA FERMACAVALO/CONDENSATORE	1
9	30004Z00000004	VITE 4X20 C15 ZNC TC+ TRUCIOL. SL	2
10	10CON000000017	CONDENSATORE MF 10 VL450 35 X57	1
11	24AFER000000003	FERMA-CONDENSATORE "GASTA1" V33	1
12	30003Z000000006	VITE 3,5X13 C15 ZNC TC+ AUTOF.DIN7981	1
13	24BFER000000001	FERMACAVALO	1
14	30003Z000000005	VITE 3,5X10 C15 ZNC TC+ DIN 7500-C	1
15	32004ZDT000001	RONDELLA DENT.M 4 DIN 6798 A ZNC	1
16	32006Z000000001	RONDELLA M 6 UNI 6592 ZNC DIN 125-A	1
17	14ACAV000000002	CAVETTO GIAL./VER. CM 28 OCC.D.4 PREISOL	1
18	24ADPRT000000001	DISCO PROTEZIONE MOTORI SOMMERSE V32	1
19	N610012801501	MOTORE 63 CONT.INOX SPA5000230/50CT.O 50	1
20	50ACALN000000001	CALOTTA ALL.MOTORI SOMM. LAV.	1
21	216201C00000001	ANELLO COMPENSATORE D.32B X 6201	1
22	216201000000007	CUSCINETTO 6201 2RS	2
23	L6305000000004	ALBERO E ROTORE SPA-SPM 5000 TENUTA D.12	1
24	P6305000100001	STATORE AV. 90X47H 50 A.2PM V230/50 O CT	1
25	24ASUP000000003	SUPPORTO 50/32 (NEW)	1
26	34PAR120000001	PARAOILIO SC 12X24X4,5	1
27	44ACONI000000008	CONTENITORE INOX H70 NEW FORO 43 SPA5000	1
28	340420000000001	OR 42,5X2,62 NBR 70 3168 PS300	1
29	24AGHI000000003	GHIERA SUPPORTO 50/32 CON S.TENUTA (NEW)	1
30	3513F0000000007	TENUTA F.26X13X5,5 ALLUMI.NBR.G.RAG	1
31	3512R0000000008	TENUTA R.FG12/22/8.3 CARBON.NBR316	1
32	56ANSPA000000006	GIRANTE SPA5000D. 95 PALE H9 50HZ NORYL	1
33	31008A000000001	DADO M 8 H 6,5 A2 UNI5588	1
34	340900000000001	OR 90 X6,25 EPDM60	1
35	24ACHIA000000009	CHIOCCIOLA H 144 F1"1/4 S.INS+OR+PIE.F30	1
36	24ACUR000000002	CURVA 1"1/4 X 35	1
37	30003A000000013	VITE 3,5X10 A2 TC TORX SLD	1
38	340020000000001	OR 2,90X1,78 NBR 70 2012	1