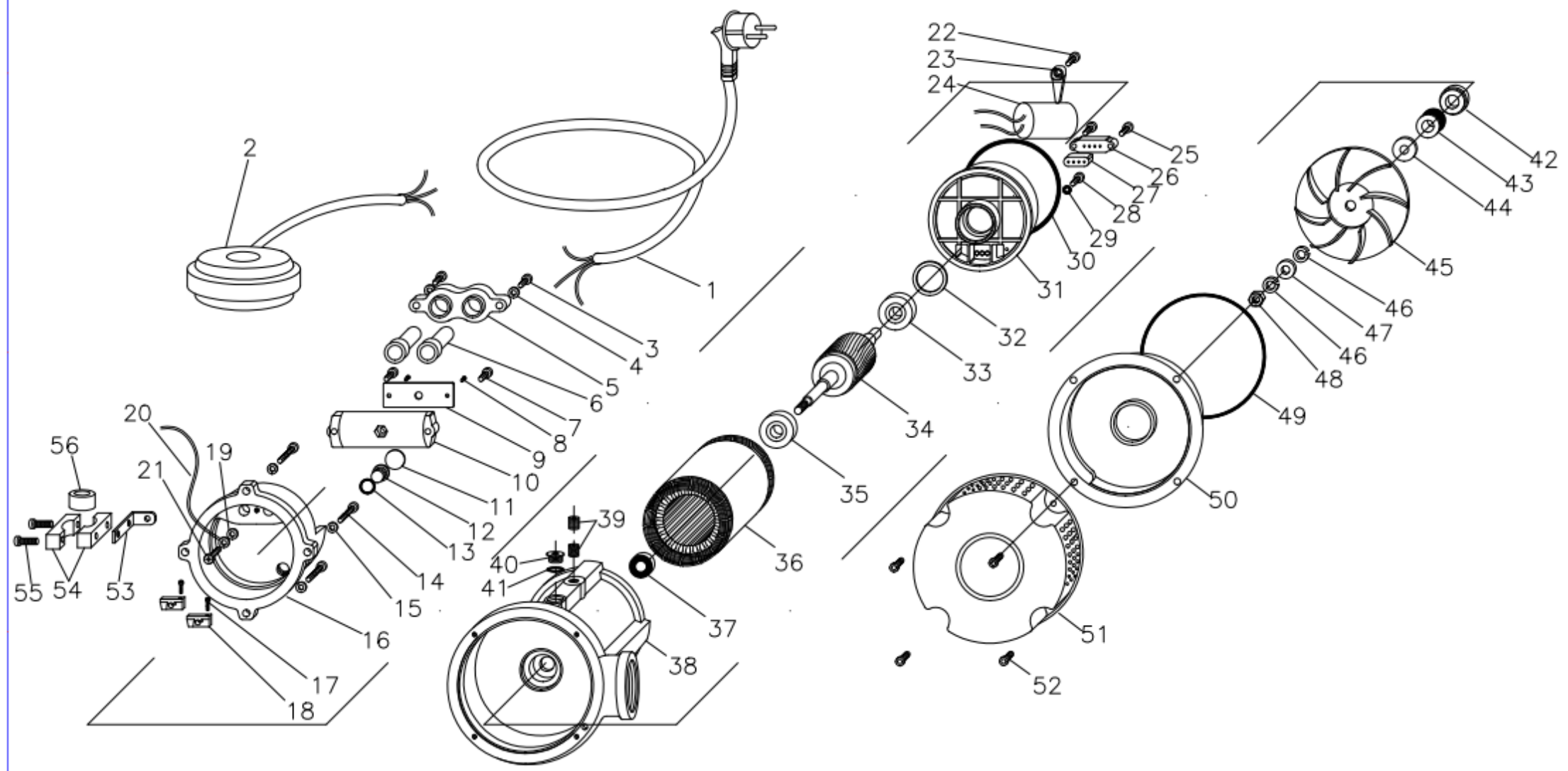


XRS 500 230V 50HZ

COD. AXRS500000001



RIF.	COD. ARTICOLO	DESCRIZIONE	QUANTITA'
1	14ACAVRNF0009	CAVO H07 RNF 3X1 M 10,3 SCHUKO	1
2	11AGAL0000002	GALLEGGIANTE FILO CM 52 NERO H07 RNF 3X1	1
3	30005A0000013	VITE M 5 X10 A2 TCEI DIN 912	2
4	32005A0000001	RONDELLA M 5 A2 DIN 125	2
5	24APRE0000002	PRESSACAPO IN RYTON X TESTATE NSA	1
6	34PAS00000002	PASSACAPO 9X19 C. EPDM50	2
7	30005A0000009	VITE M 5X14 A2 TCCE	2
8	30RIV00000001	RIVETTO A MARTELLO AUTOFILET.2,9X6,5	2
9	65ATARA0000002	TARGA XR-XV 24X69X0,5 ACCIAIO INOX	1
10	24AMAN0000005	MANICO SOMMERSE XR-XV P120 NYLON	1
11	65ATAR00000035	BOLLINO ROSSO TEST POMPE SOMMERSE	1
12	31TAP00000011	TAPPO 1/4 GAS TCCE OT NIC TEST.SOM.INOX	1
13	3401200000001	OR 12,42X1,78 NBR 70 2050	1
14	30006A0000008	VITE M 6 X30 A2 TCCE	4
15	32006A0000002	RONDELLA M 6 UNI6592 DIN125/A A2	3
16	54ATXR0000001	TESTATA XR-XV CH128/1 L.GHISA	1
17	30003Z0000006	VITE 3,5X13 C15 ZNC TC+ AUTOF.DIN7981	2
18	24BFER0000001	FERMACAPO	2
19	32005ZDT00001	RONDELLA DENT M5 D.EST9 ZNC	1
20	14ACAV0000012	CAVETTO GIAL./VER.CM10 OCC.D.5 PREIS.	1
21	30005Z0000033	VITE M5 X10 10,9ZNC TEST.BOTTONE C.ESAG	1
22	30003Z0000010	VITE 3,5X16 ZNC TCB+AC AUTOFIL.DIN7981	1
23	24BFER0000003	FERMA-CONDENSATORE X SCATOLA PICCOLA	1
24	10CON00000002	CONDENSATORE MF 12 VL450 D.36	1
25	30004Z0000003	VITE 4 X16 C15 ZNC SL (TRUC)	2
26	24ASTA0000004	STAFFA X 4 CAVET.SOM.XR-XV NYLON EL3009	1
27	34PAS00000013	PASSAFILO 4 FORI X POMP.SOM.NBR50-EL3002	1
28	30003A0000013	VITE 3,5X10 A2 TC TORX SLD	1
29	3400200000001	OR 2,90X1,78 NBR 70 2012	1
30	3408800000005	OR 88,50X3,53 NBR 70	1
31	24ABASPC00001	BASE PORTACOND.SOM.XR-XV H50-70-90 RYTON	1
32	216201C000001	ANELLO COMPENSATORE D.32B X 6201	1
33	2162010000007	CUSCINETTO 6201 2RS	1
34	L630500000005	ALBERO E ROTORE XR -XV H50 M63	1
35	2163010000001	CUSCINETTO 6301 2RS-C3 12/37/12	1
36	P630500310001	STATORE AV. 90X47H 50 A.2PM V230/50B.OLI	1
37	34PAR12000001	PARAOILIO SC 12X24X4,5	1
38	54ACHIXR00001	CHIOCCIOLA XR-XV M.ORIZ.CH130/1 L.GHISA	1
39	30008A0000007	GRANO M8X10 A2 TCCE ESTREM.PIAN.UNI5923	2
40	31TAP00000010	TAPPO 1/4 GAS TCCE OT NIC SOMM	1
41	3401000000003	OR 10,82X1,78 NBR 70 2043	1
42	3513F00000005	TENUTA F.26X13X5,5 CA.SIL.NBR.G.RAG	1
43	3512R00000007	TENUTA R.FG12/22/8.3 CA.SIL.NBR316	1
44	52ADISG0000004	DISTANZIALE GIR.XR-XV H50 22X8,1X4 OT.N.	1
45	56AIHF0000001	GIRANTE HF 50 H 9 D.100 RIDOTTO INOX	1
46	32008AGR00001	RONDELLA GROW.M 8 DIN 127-B A2	2
47	32018B0000001	RONDELLA 16 X 8,1 H 4 OT.NICHEL	1
48	31008A0000001	DADO M 8 H 6,5 A2 UNI5588	1
49	3412000000001	OR 120 X2 NBR 70	1
50	24ADIF0000007	DISCO DIFFUSORE CON VOLUTA X AX FIBRA V.	1
51	44ABASL0000006	BASE INOX TURBO 50 STAMP.LUCID.	1
52	30005A0000015	VITE M 5 X10 A2 TCEI DIN 912	4
53	44ASTA0000001	STAFFETTA FERMAGALLEG. AISI 304 P122/2	1
54	24AFER0000005	FERMA-GALLEGGIANTE 2 META' X STAFF.P121/1	1
55	30004A0000020	VITE M 4 X25 A2 TC+	2
56	34PAS00000014	PASSACAPO X FERMAGAL.D.9 FORPRENE P123/1	1