

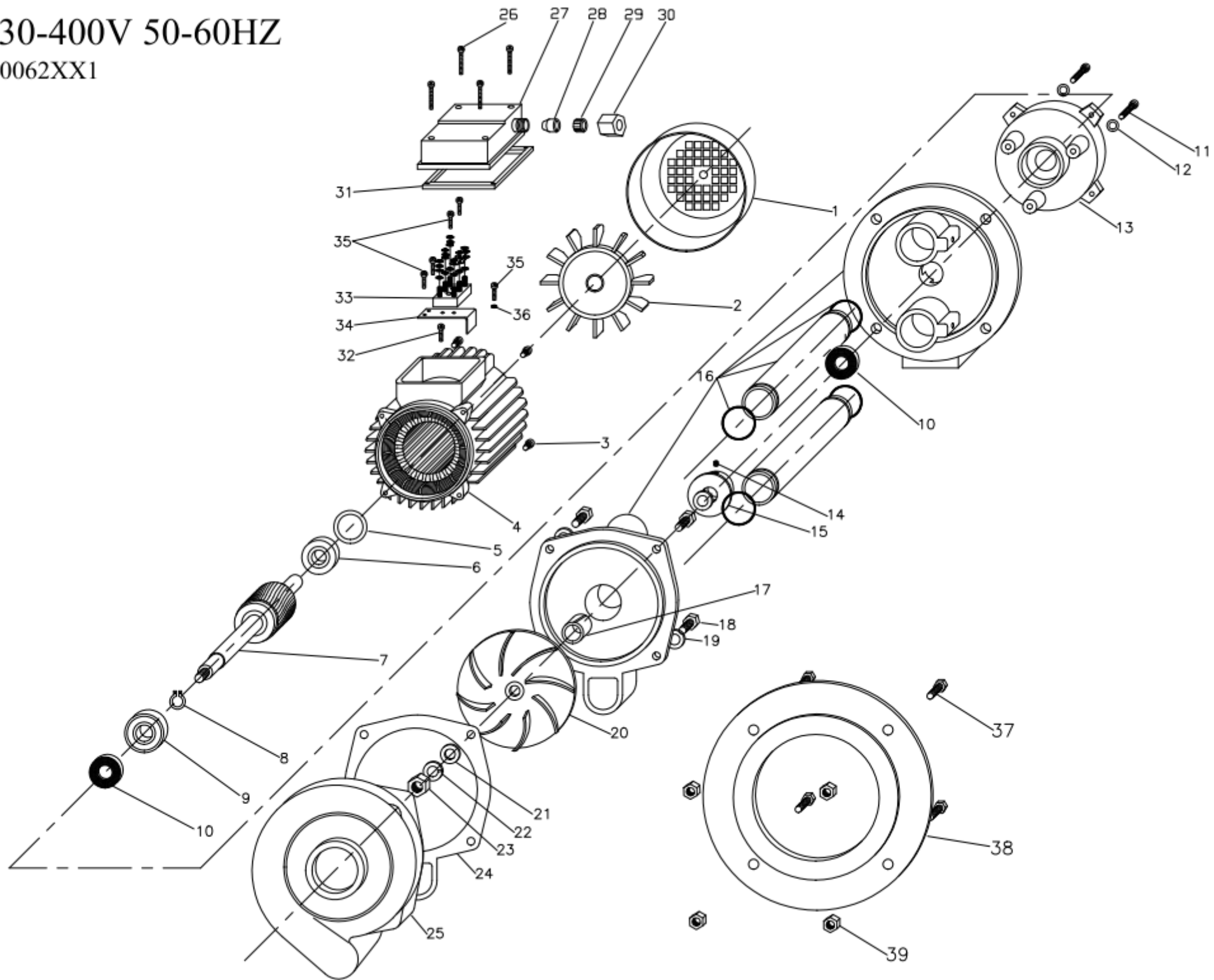
ZC 130 230-400V 50-60HZ

COD: IZC0130062XX1

PESCANTI:

215 - 265

340 - 455



RIF.	COD. ARTICOLO	DESCRIZIONE	QUANTITA'
1	24BCPM7100003	COPRI-VENTOLA M71 PP NERO GRIGLIA CIRCOL	1
2	24BVEN0000003	VENTOLA MEC71 CON ANELLO	1
3	30005Z0000023	VITE TCEI 5 X20 C15B ZNC TT	4
4	M728000013151	STAT IN CAS.71 B5 BG CH 230/400/5 105CAT	1
5	216202C000001	ANELLO COMPENSATORE D.35B X 6202	1
6	2162020000002	CUSCINETTO 6202 2RS-C3WT 15/35/11 SKF	1
7	V711060000001	ALBERO (ZC 125 PESCANTE H200)	1
	V711060000002	ALBERO (ZC 125 PESCANTE H250)	1
	V711060000003	ALBERO (ZC 125 PESCANTE H325)	1
	V711060000004	ALBERO (ZC 125 PESCANTE H440)	1
8	21025F0000001	ANELLO 1400 EST. 25 FOSFATATO	1
9	2160050000001	CUSCINETTO 6005 ZZ -C3 GRASSO ALTA TEMP.	1
10	34VRI00000001	V-RING NBR VS 25 24/27	2
11	30006Z0000020	VITE M6X40 ZNC TCEI CH.5	3
12	32006Z0000001	RONDELLA M 6 UNI 6592 ZNC DIN125-A	3
13	50BSUPVLB0006	SUPPORTO M.71 VLB 80/65 VER.CAT.RUL.D.47	1
14	30004A0000013	GRANO M 4 X 5 A2 CE ESTR.PIANA DIN 913	1
15	32025BRG00001	RONDELLA ROMP 25 X40 H12 OT /ZC100	1
16	29BGA71000010	GAMBO ASS.M71 PESCANTE H215 A2 ZC130	1
	29BGA71000011	GAMBO ASS.M71 PESCANTE H265 A2 ZC130	1
	29BGA71000012	GAMBO ASS.M71 PESCANTE H340 A2 ZC130	1
	29BGA71000013	GAMBO ASS.M71 PESCANTE H455 A2 ZC130	1
17	21BOCG0000002	BOCCOLA D 17X25 H30 GOMMA NBR	1
18	30008A0000001	VITE M8 X20 A2 TE DIN 933	4
19	32008AGR00001	RONDELLA GROW.M 8 DIN 127-B A2	4
20	56BRZC0000002	GIRANTE ZC 130 H 10 D.123 RYTON	1
21	32010A0000001	RONDELLA M10 A2 DIN125-A	1
22	32010AGR00001	RONDELLA GROW M10 A2 DIN127-B	1
23	31010A0000001	DADO M10 H 8 A2 DIN 934	1
24	34GUA000000020	GUARN. PIANA 130X H0,5 GUAMOTOR	1
25	50BCHIZC00002	CHIOCCIOLA MEC71 ZC130 VERN.NERA	1
26	30003Z0000018	VITE 3,5X35 C15 ZNC TC+ PG DIN 7500-C	4
27	24ICOP7100001	COPERCHIO COND.LUNGO NERO M71 NYLON ROHS	1
28	34PAS000000006	PASSACAVO X SCATOLA COND. FORO D.9	1
29	24BFER0000004	FERMACAVO A GABBIA X COPRIMORS.	1
30	24BGHI0000002	GHIERA PRESSACAVO SCATOL.COND.NYLON ROHS	1
31	34COR00000001	CORNICE X COP. ALL 114X76X1,5 EPDM	1
32	30003Z0000006	VITE 3,5X13 C15 ZNC TC+ AUTOF.DIN7981	1
33	11MORS0000005	MORSETTIERA 40X25 6PERNI (+6 DADI)	1
34	00SUP00000003	SUPPORTO PORTA MORSETTIERA LAM.ZINCATA	1
35	30003Z0000005	VITE 3,5X10 C15 ZNC TC+ DIN 7500-C	5
36	32004ZDT00001	RONDELLA DENT.M 4 DIN 6798 A ZNC	1
37	30006A0000002	VITE M6 X20 A2 TCEI DIN 912	4
38	24WFLAA000002	FLANGIA ADAT.5FORI NYLON D.230X140 STD.	1
39	31006A0000001	DADO M6 H12 A2 CIECO 1587	4