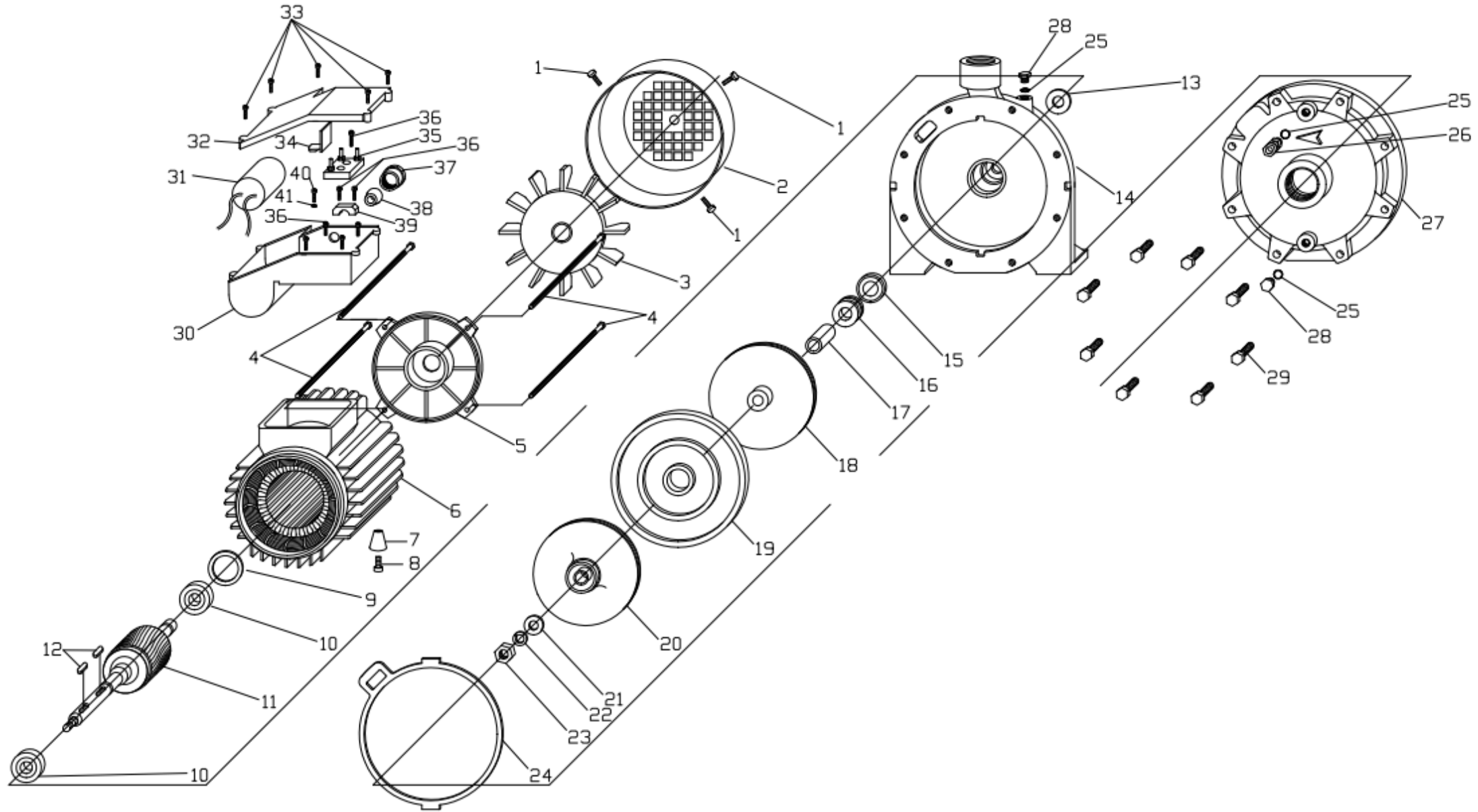


ZH 200 230V 50HZ

COD: BZH0200000B01



RIF.	COD. ARTICOLO	DESCRIZIONE	QUANTITA'
1	30003Z0000020	VITE M 3,5X 9,5 C15 ZNB TC+ AUTOFILET.	4
2	44BCOP8000001	COPRIVENTOLA MEC80 LAM.LUCIDA VP/4F	1
3	24BVEN0000005	VENTOLA MEC80 CON ANELLO FB	1
4	33005G0000005	TIRANTE M 5X152 4,8 GR	4
5	50BSCU8000001	SCUDO M80 B3 NPF LAV.	1
6	M822000006101	STAT IN CASSA 80 B5 AP 230/50ST.A 100	1
7	00PIE00000011	PIEDINO X MOTORE MEC71 H31 CON FORO	1
8	30005Z0000029	VITE 5,5X14 C15B ZNC TC+ AUTOFILETT.	1
9	216204C000001	ANELLO COMPENSATORE D.47 X 6204	1
10	2162040000004	CUSCINETTO 6204 2RS 20X47X14	2
11	H801000000006	ALBERO E ROTORE ZH150-ZH200 (12001)	1
12	30L0400000001	LINGUETTA 4X4X10 INOX DIN 6885-A	2
13	34ROM000000001	ROMPIGOCCIA 30X14 H2,5 NBR	1
14	54BTZH0000001	TESTATA GHISA ZH 150/300 LAV.28018/L PR	1
15	3516F00000002	TENUTA F. 26,9X16 X7 BTPFL BP	1
16	3515R00000002	TENUTA R. 15 BTPRFN XPGF	1
17	52BDISP0000005	DISTANZIALE PREM.ZB 17.5X15 17002	1
18	56BBZH0000011	GIRANTE H3 D.133 DX L. OTT	1
19	54BDISZH00001	DISCO INTERM.ZH150-300 LAV.37000/L GHISA	1
20	56BBZH0000012	GIRANTE H3 D.133 SX L. OTT	1
21	32010A0000001	RONDELLA M10 A2 DIN125-A	1
22	32010AGR00001	RONDELLA GROW M10 A2 DIN127-B	1
23	31010A0000001	DADO M10 H 8 A2 DIN 934	1
24	34GUA00000021	GUARN. PIANA 185X167.5 ZH 0,5 BETAFLEX77	1
25	32010L0000001	RONDELLA 10 X16 H 1,5 AL	3
26	60VAL00000002	VALVOLA 1/8G DI SFIATO ZH OTTONE	1
27	54BTZH0000002	TESTATA GHISA ZH 150/300 LAV.28017/L AS	1
28	31TAP00000003	TAPPO 1/8 GAS E.14 OT NICHELATI BIANCHI	2
29	30008Z0000012	VITE M 8 X40 8.8 ZNC TE PG DIN 933	8
30	24BBAS0000001	BASE G4 MEC 80/100 SAVIPLAST M20	1
31	10CON00000008	CONDENSATORE MF 40 VL450 45X94	1
32	24BCOP8000002	COPERCHIO CONDENSATORE M80 G4 M20	1
33	30003Z0000010	VITE 3,5X16 ZNC TCB+AC AUTOFIL.DIN7981	5
34	24BSTA0000001	STAFFA FERMACONDENS.M63/71/80 SAV.STA.00	1
35	11MORS0000001	MORSETTIERA 40X25 3P. + DADI	1
36	30003Z0000006	VITE 3,5X13 C15 ZNC TC+ AUTOF.DIN7981	7
37	24BGHI0000001	GHIERA FILETTATA M20X1,5 SCATOLA MEC 80	1
38	34GUA00000014	GUARN. CONICA M80/100 SAVIPLAST D. 9 M20	1
39	24BFER0000002	FERMACAVO MEC 80/100	1
40	30003Z0000005	VITE 3,5X10 C15 ZNC TC+ DIN 7500-C	1
41	32004ZDT00001	RONDELLA DENT.M 4 DIN 6798 A ZNC	1